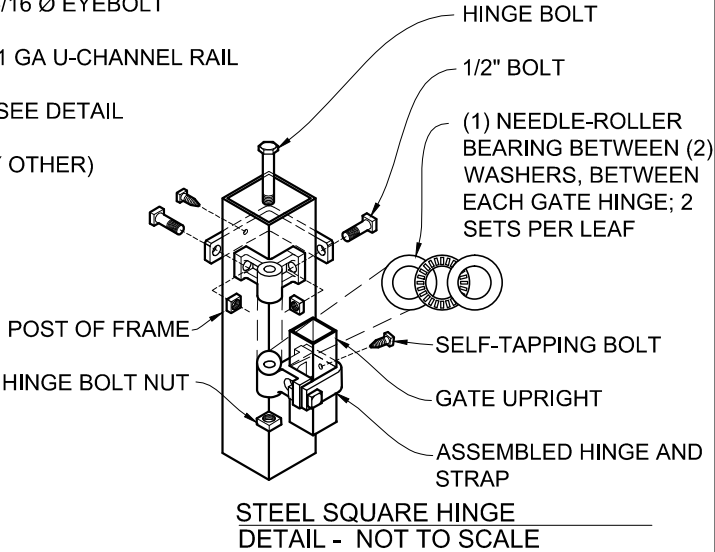


- NOTES:
- SPECIFICATIONS SHOWN CAN BE CHANGED BY THE MANUFACTURER ONLY.
 - ALL COMPONENTS OF THE GATE TO BE COATED BLACK. OTHER COLORS AVAILABLE
 - VERIFY POST DEPTH AND FOOTING DIMENSIONS WITH LOCAL CODES AND SITE CONDITIONS.
 - CUSTOM DIMENSIONS ARE AVAILABLE UPON REQUEST
 - OUTSIDE LOOKING IN, GATE LATCHES ON _____ (RIGHT AS SHOWN)
 - GATE OPENINGS OVER 8' WILL REQUIRE ADDITIONAL SUPPORT
 - POST SIZE WILL VARY DEPENDING UPON WIDTH AND HEIGHT OF GATE



TANGO RAIL GATE - CURVE TOP
2 TO 4 RAILS

3' TO 20' WIDE OPENING x 3' TO 12' HIGH
(Nom.Dimension)

BY: J.R.
DATE: 8.18.14*
REV: D.D.*

DWG. NO. TR SG COM CT 3-20W x 3-12H
SCALE: AS NOTED