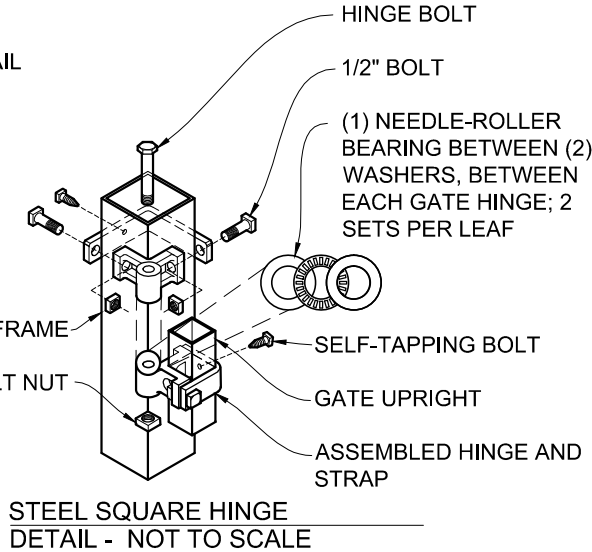
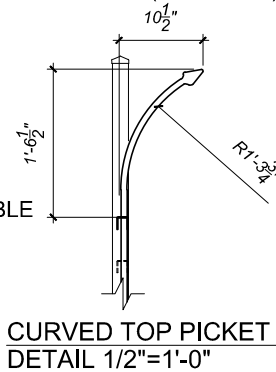


ARCH CHART	
WIDTH OF OPENING	HEIGHT OF ARCH
4'-5'	4"-6"
6' - 8'	12"
8'-10'	15"
10' OR MORE	15" - 24"

- NOTES:
- SPECIFICATIONS SHOWN CAN BE CHANGED BY THE MANUFACTURER ONLY.
  - ALL COMPONENTS OF THE GATE TO BE COATED BLACK. OTHER COLORS AVAILABLE
  - VERIFY POST DEPTH AND FOOTING DIMENSIONS WITH LOCAL CODES AND SITE CONDITIONS.
  - CUSTOM DIMENSIONS ARE AVAILABLE UPON REQUEST.
  - OUTSIDE LOOKING IN, GATE LATCHES ON \_\_\_\_\_ (RIGHT AS SHOWN)
  - GATE OPENINGS OVER 8' WILL REQUIRE ADDITIONAL SUPPORT
  - POST SIZE WILL VARY DEPENDING UPON WIDTH AND HEIGHT OF GATE



**TANGO RAIL GATE - CURVE TOP**  
**SIMPLE ARCH 2 TO 4 RAILS**  
 3' TO 20' WIDE OPENING x 6' TO 12' HIGH  
 (Nom.Dimension)

BY: J.R.  
 DATE: 8.18.14\*  
 REV: D.D.\*

DWG. NO. TR SA COM CT 3-20W x 6-12H  
 SCALE: AS NOTED