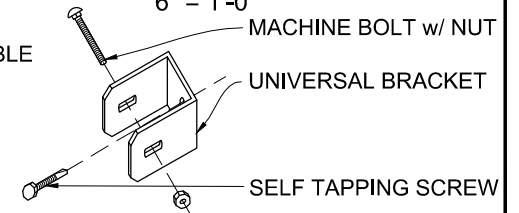
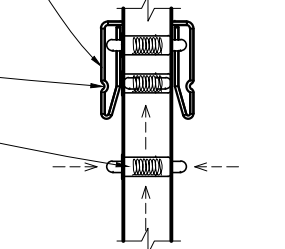
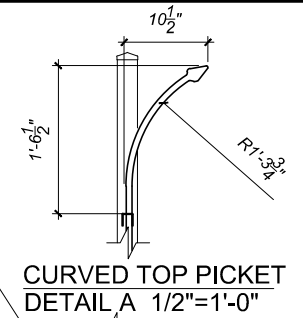
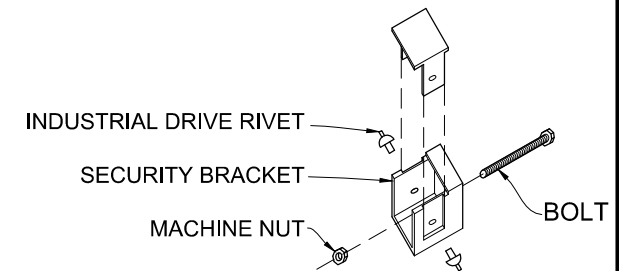


TANGO RAIL PANEL - CURVE TOP  
ELEVATION - OUTSIDE LOOKING IN 1/2"=1'-0"




GUARDSMAN SECURITY BRACKET  
DETAIL 1"=1'-0"



GUARDSMAN SECURITY BRACKET  
DETAIL 1"=1'-0"

NOTES:

1. SPECIFICATIONS SHOWN CAN BE CHANGED BY THE MANUFACTURER ONLY.
2. ALL COMPONENTS OF THE PANEL TO BE COATED BLACK. OTHER COLORS AVAILABLE.
3. VERIFY POST DEPTH AND FOOTING DIMENSIONS WITH LOCAL CODES AND SITE CONDITIONS.
4. CUSTOM DIMENSIONS ARE AVAILABLE UPON REQUEST.

 <p>COPYRIGHT © MERCHANTS METALS ALL RIGHTS RESERVED</p> <p><b>Merchants Metals</b><sup>®</sup></p> <p><i>the first name in fence solutions</i></p>	<p>TANGO RAIL PANEL - CURVE TOP 2 TO 4 RAILS</p>	<p>BY: J.R.</p>	<p>DWG. NO. TR PN COM CT 8W x 6-12H</p>
	<p>8' WIDE x 6' TO 12' HIGH (Nom.Dimension)</p>	<p>DATE: 8.18.14*</p>	<p>REV: D.D.*</p>