

# Vintage Square® Premium

The Next  
Generation In  
Ornamental  
Aluminum  
Fence



FENCE SOLUTIONS IN ORNAMENTAL • CHAIN LINK • WOOD • PVC • ACCESS CONTROL [WWW.MERCHANTSMETALS.COM](http://WWW.MERCHANTSMETALS.COM) 866-888-5611



**Merchants Metals®**

*the first name in fence solutions*



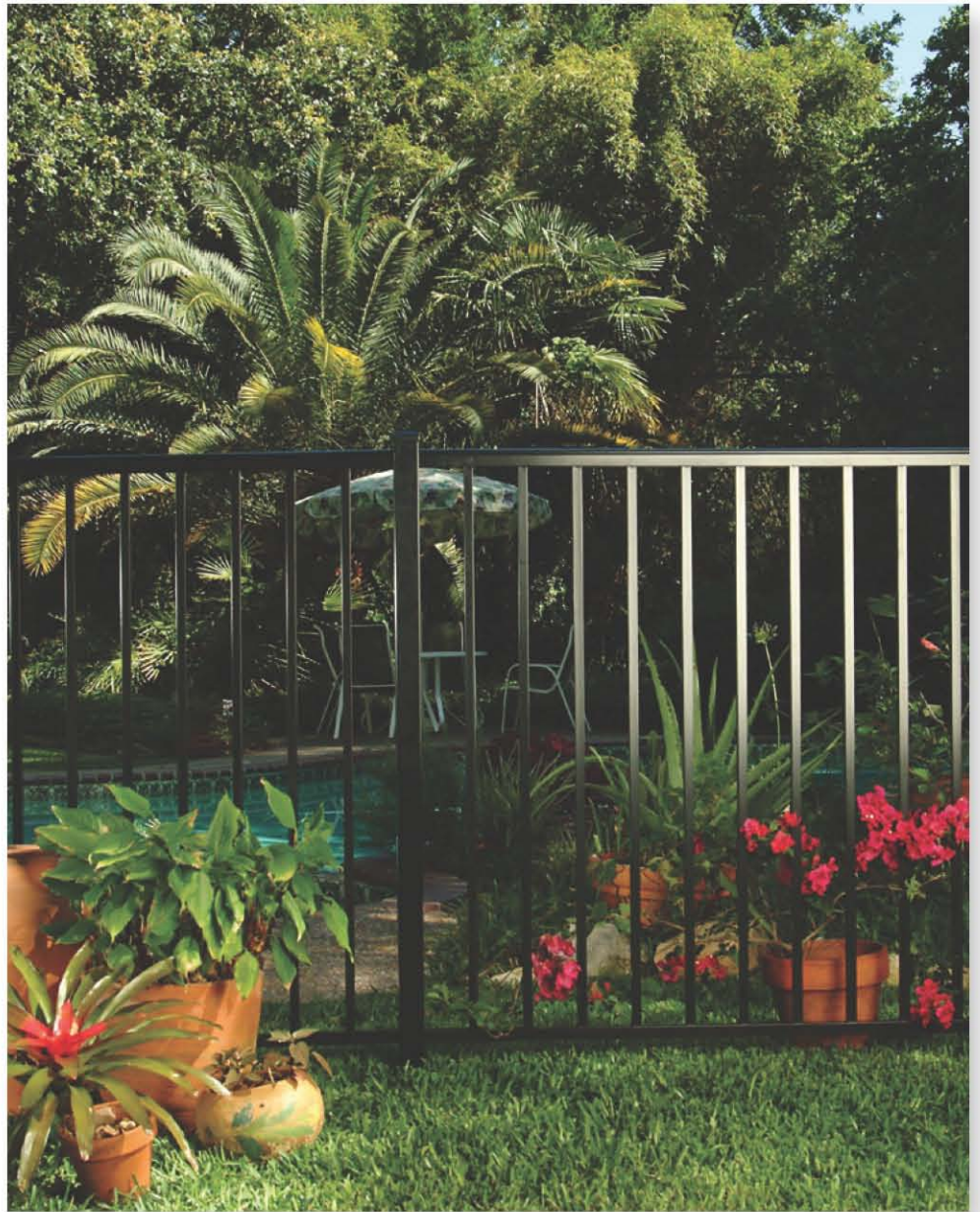
SULTAN FENCE STYLE

**E**legance, endurance and value distinguish Vintage Square® Premium from traditional aluminum and wrought iron fencing. It is the first truly new aluminum fence that provides *No-Visible Fasteners*, a sun-resistant, chemical-resistant, and durable maintenance free powder coated finish. A Vintage Square® Premium installation will provide a lifetime of worry free performance.

Our reputation for quality has been built over the past 50 years, and we are particularly proud of this revolutionary internal-fastening fence system. Every aspect of this fencing—from post to finial—shows our exacting attention to detail. The elegance and seamless grace of our unique fastening construction makes Vintage Square® Premium the perfect complement to your landscape.



SULTAN FENCE STYLE



CELTIC POOL FENCE STYLE WITH OPTIONAL MUSHROOM TOP RAIL

High-strength 6063-T5 aluminum makes Vintage Square® Premium as durable as it is beautiful.

Vintage Square® Premium comes to you factory-assembled and carefully packed in reinforced cardboard boxes to ensure that it arrives in perfect condition. Installation requires little more than snapping the rails in place, a quick and easy job that makes this premium fencing surprisingly affordable.

**Celtic Pool**



Flat top, 2 rails available in 48 inch height.

**Celtic**



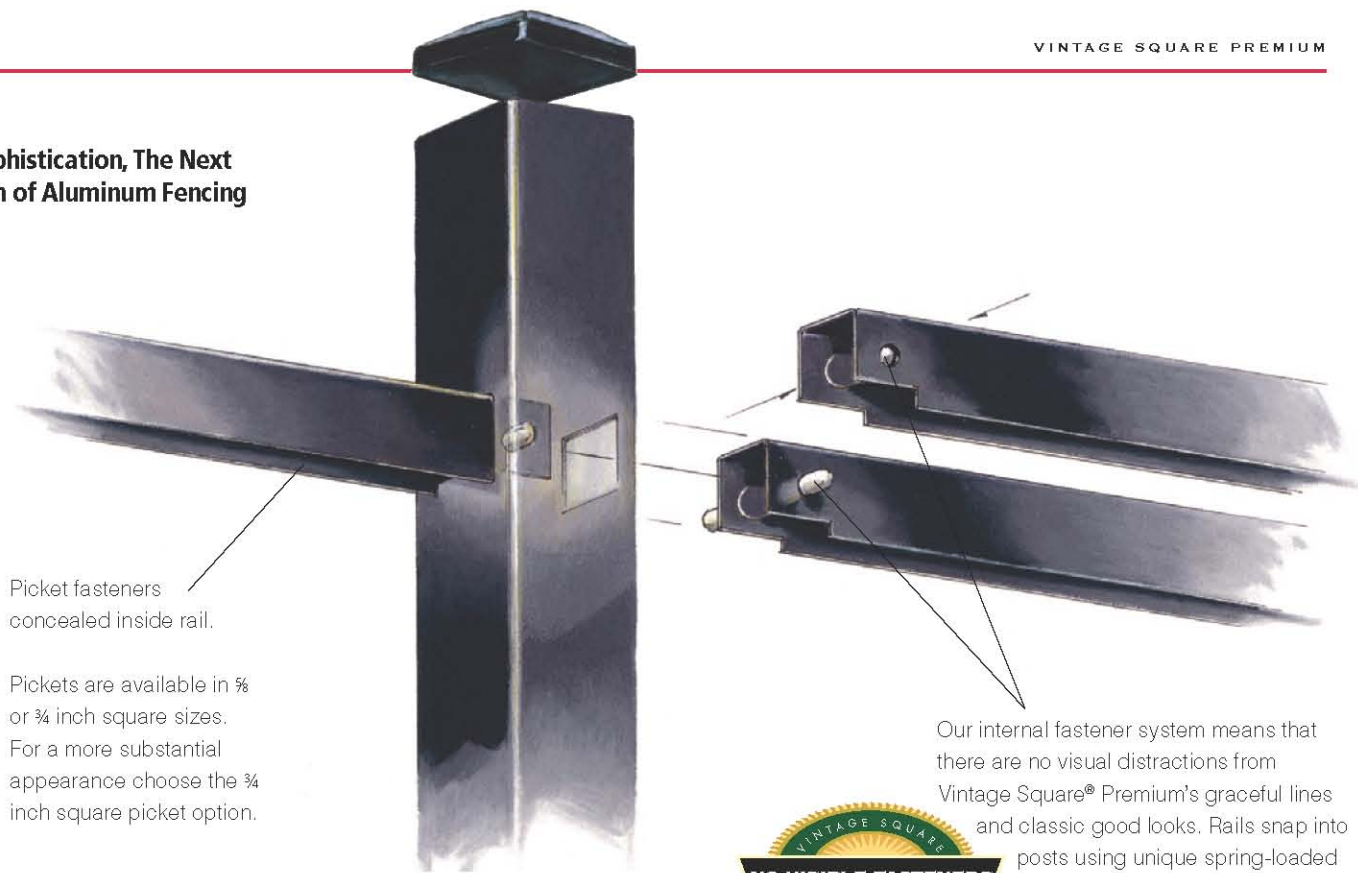
Flat top, 3 rails available in 48, 60 or 72 inch heights.

**Celtic Pool**



Flat top, 3 rails available in 54 inch height.

**Simple Sophistication, The Next Generation of Aluminum Fencing**



Picket fasteners concealed inside rail.

Pickets are available in  $\frac{5}{8}$  or  $\frac{3}{4}$  inch square sizes. For a more substantial appearance choose the  $\frac{3}{4}$  inch square picket option.

Our internal fastener system means that there are no visual distractions from Vintage Square® Premium's graceful lines and classic good looks. Rails snap into posts using unique spring-loaded pins that pop out inside the post to hold the rail securely in place.



In uneven terrain, the breakthrough fastening technology of Vintage Square® Premium allows rails to rotate vertically so that fencing can flow seamlessly across your landscape. Each six-foot section can accommodate a change in elevation of up to 33 inches!

With Vintage Square® Premium there are no special tools required for installation, no chances of damaging the finish while tightening screws, no screws to come loose and no visible fasteners from either side. Just a lifetime of worry free performance from clean, durable, and elegant fencing.



CELTIC FENCE STYLE CUSTOM ARCH-TOP GATE



SULTAN FENCE STYLE

**Sultan**



Spear picket, 3 rails available in 48, 60 or 72 inch heights.

**Coronet**



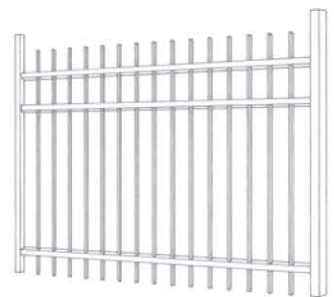
Flat top with spear picket, 3 rails available in 48, 54, 60 or 72 inch heights.

**Coronet Pool**



Flat top with spear picket, 3 rails available in 54 inch height.

**Seville**



Square top, 3 rails available in 48, 60 or 72 inch heights.

# SPECIFICATIONS

## Components

Pickets	5/8" & 3/4" inch x .050 inch wall	
Rails	Standard	Top Wall 1 x .055 inch
		Side Wall 1 x .083 inch
	Tall	Top Wall 1 x .055 inch
		Side Wall 1 1/2 x .083 inch
	Mushroom	Top Oval 1 x .055 inch
		Side Wall 1 1/2 x .083 inch
Posts	2 x .060 & .075 inch	
Gate Posts	2 & 2 1/2 x .125 inch	
Spacing Between Pickets	5/8 inch picket 3 1/4 inches	
	3/4 inch picket 3 1/4 inches	
Post Spacing	72 inch O.C. with 2 inch Posts	
Available Heights	48, 54, 60 & 72 inches	
Standard Color	Black	

## Custom Features

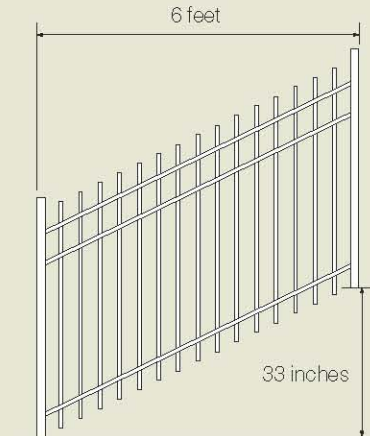


Mushroom Top Rail  
1 x 1 1/2 inch



Flat Top Rail  
1 x 1 1/2 inch

Enhance the beauty of any Celtic or Coronet panel with the Optional Mushroom Top Rail. Mushroom Top Rail must be specified at time of order placement because the panel is manufactured to incorporate the custom rail design. The custom rail is a one-piece design to insure panel strength and integrity.



Each 6 foot wide section accommodates elevation changes up to 33 inches.

**Our Finish:** A factory-applied TGIC polyester powder coating provides a beautiful maintenance-free finish with superior coverage of all surfaces, including edges. This coating more than meets today's industry standards for quality and is far more durable, fade-resistant and scratch resistant than comparable painted finishes.

**Our Warranty:** We stand behind our fencing with a limited lifetime warranty that covers all components of the fence system. See your local distribution center for details.

## Gates



SULTAN STANDARD SINGLE SWING GATE



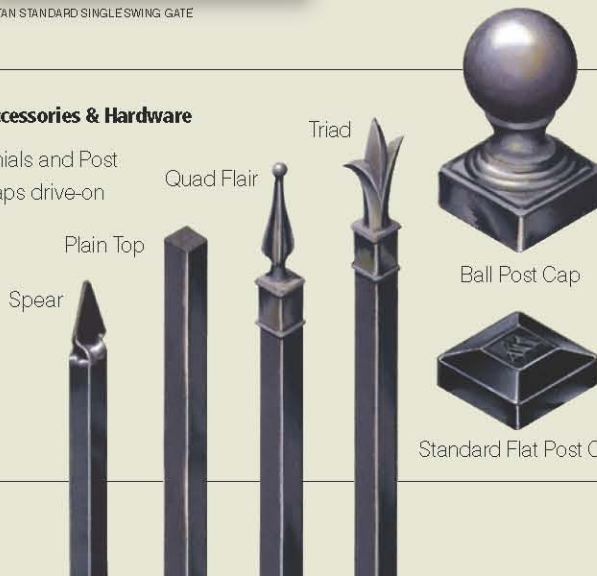
CELTIC DOUBLE DRIVE GATE STYLE

Our 'No-Sag' gates are fully welded at all contact points and incorporate a solid reinforcing rod. This construction gives our gates great internal strength and rigidity, superior to gates in which pickets are screwed to rails. Standard spring-loaded self-closing hinges and the optional latch feature the same powder coating as our posts, rails and pickets, making them durable, dependable and attractive.

Our gates are available in heights of 48, 54, 60 and 72 inches to fit openings of 4, 5 and 6 feet. We also manufacture custom estate gates to match Vintage Square®. Please consult with your local service center with regards to availability and pricing.

## Accessories & Hardware

Finials and Post Caps drive-on



Adjustable Swivel Bracket



Wall Mount Bracket



Standard Aluminum Hinges

## Additional Fence Solutions

Merchants Metals is the largest American-owned and operated manufacturer and distributor of fence systems in the nation. The company's complete line of fencing solutions for residential, commercial and industrial applications includes steel ornamental in both component and fully welded systems, hot dipped galvanized and color coated chain link fence systems, wood and vinyl systems, aluminum ornamental

systems, temporary fence and pedestrian barricades, guardrail, aluminum track gates and access control products.

All Merchants Metals products are available through our Authorized Dealer network and other professional fence contractors.

To find out more about Merchants Metals and the fencing solutions it offers, please call 866.888.5611 or visit [www.merchantsmetals.com](http://www.merchantsmetals.com).

### ORNAMENTAL



### CHAIN LINK



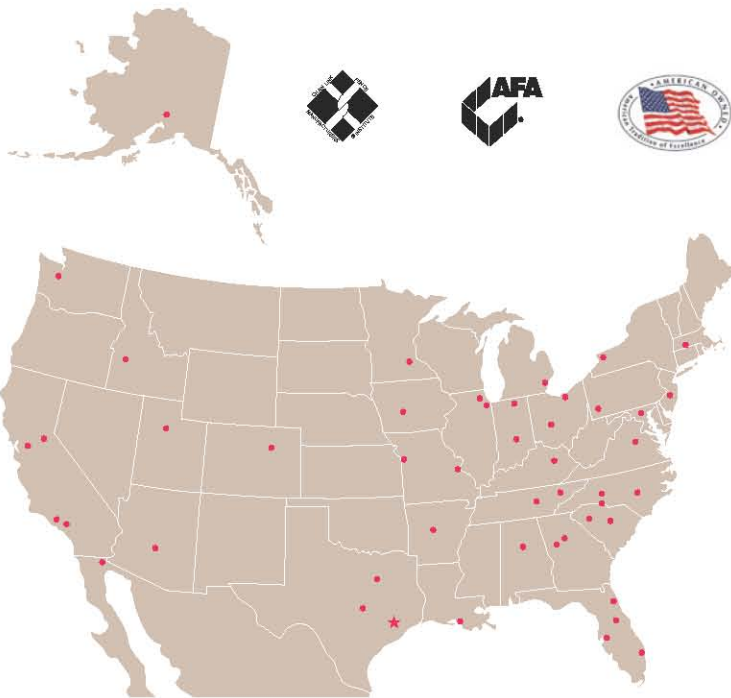
### WOOD



### PVC



### ACCESS CONTROL



3838 N. Sam Houston Pkwy. E., Suite 600  
Houston, Texas 77032  
281.372.3800 866.888.5611 fax 281.372.3801  
[www.merchantsmetals.com](http://www.merchantsmetals.com)  
*a division of MMI Products, Inc.*