

Western Red Cedar

Naturally Beautiful Wood Fencing



FENCE SOLUTIONS IN ORNAMENTAL • GATES • WELDED WIRE • PVC • CHAIN LINK • WOOD

WWW.MERCHANTSMETALS.COM 866-888-5611



Merchants Metals[®]
the first name in fence solutions

Western Red Cedar Fencing

Enhance your property and landscape with the natural beauty of Western Red Cedar from the Pacific Northwest. Perfect for use in both residential and commercial applications, Western Red Cedar provides unsurpassed beauty and centuries of proven performance.

Western Red Cedar board fencing complements any architectural design, from historic to modern, and can be painted, stained, or left to weather naturally to a silver-gray color.

Environmentally friendly, economical and maintenance free, Western Red Cedar is available in heights from 48" to 96".



SHADOW BOX



CAPPED PRIVACY



CONCAVE PRIVACY



LATTICE PRIVACY

Western Red Cedar Benefits

- Environmentally Friendly
- Naturally Resistance to Moisture, Insects & Decay
- Durable & Long Lasting
- Lightweight & Easy to Handle
- Can be Painted, Stained or Sealed
- Renewable Resource with a Low Carbon Footprint
- Available in a Variety of Heights and Widths

Distinctive Appearance, Multiple Style Options

Western Red Cedar rough sawn boards and posts can be custom-styled for a truly distinctive appearance. Boards are available with either flat top or dog ear pickets.

Style options include: convex or concave, lattice top, picket, privacy, shadow box, horizontal or ranch rail.

Available in: 1x4x4 to 1x6x8 boards; 2x4 rails in 8' and 10' lengths; 4x4 posts in 6' to 12' lengths.

Fence Post & Picket Options*

Western Red Cedar is available in a variety of post and picket styles to help customize your fence and create architectural appeal.



Dog Ear



Flat Top



French Gothic

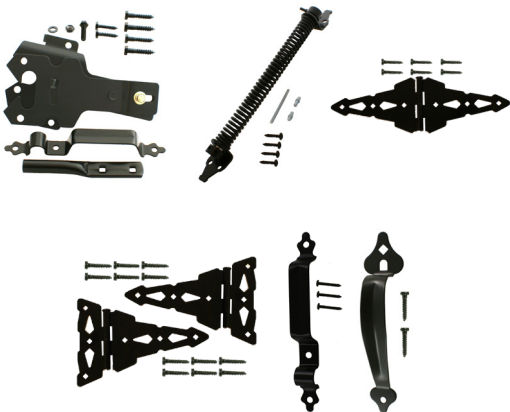


Gothic

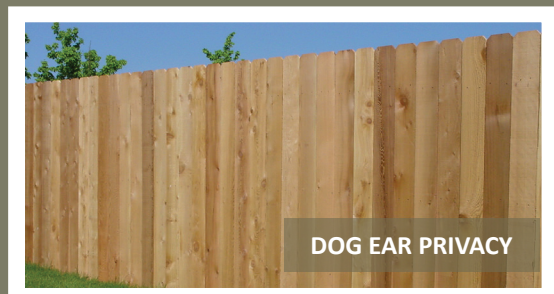
- Merchants Metals handles a full line of Western Red Cedar products and timbers from 4x4x6 thru 6x6x16.
- For maximum performance Merchants Metals recommends 3 backer rails be used on 6' and 7' high fences and 4 backer rails be used on 8' high fences.
- Wood fence products are supplied from various mills in different parts of North America. Varied color combinations may exist with cedar boards and rails.
- Please check with your local service center for stock availability and special order items.

Gate Hardware*

We offer a complete line of high quality wood gate hardware including latch sets, hinges, springs and handles.



*Please contact your local sales representative for availability in your area.



Split Rail Western Red Cedar Fencing

Nothing compares to the rustic look of all natural split rail cedar fencing. Ideal for homes, businesses, public parks, or anywhere you need a subtle barrier to enhance the look of your property.

Features

- Pre-Notched
- Pre-Drilled
- Easy to Install
- Easy to Maintain
- Decay & Rot Resistant
- Environmentally Friendly
- Durable & Long Lasting

Available In

- 2-Rail & 3-Rail
- Standard or Jumbo Rails
- 10' Sections



Pre-Drilled Post



Rail w/ Tongue (Scarfed)



Additional Fence Solutions

Merchants Metals is one of the largest manufacturers and distributors of fence systems in the nation. Our complete line of fencing solutions for residential, commercial and industrial applications includes:

- Hot-Dipped Galvanized Chain Link
- Color Coated Chain Link
- Steel Ornamental in both Component and Fully-Welded Systems
- Aluminum Ornamental Systems
- Wood Fence
- PVC Fence
- Temporary Fence
- Aluminum Track Gates
- Access Control Products
- Guardrail
- Pre-hung Security Gates
- Welded Wire

All Merchants Metals products are available through professional fence contractors nationwide.

To find out more about Merchants Metals and the fencing solutions we offer, please call 866.888.5611 or visit www.merchantsmetals.com.



AIA Continuing Education



ORNAMENTAL



PVC



CHAIN LINK



WOOD



GATES



866.888.5611

www.merchantsmetals.com